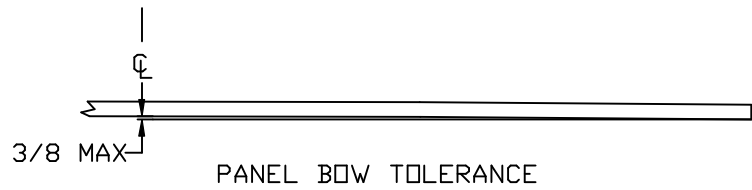
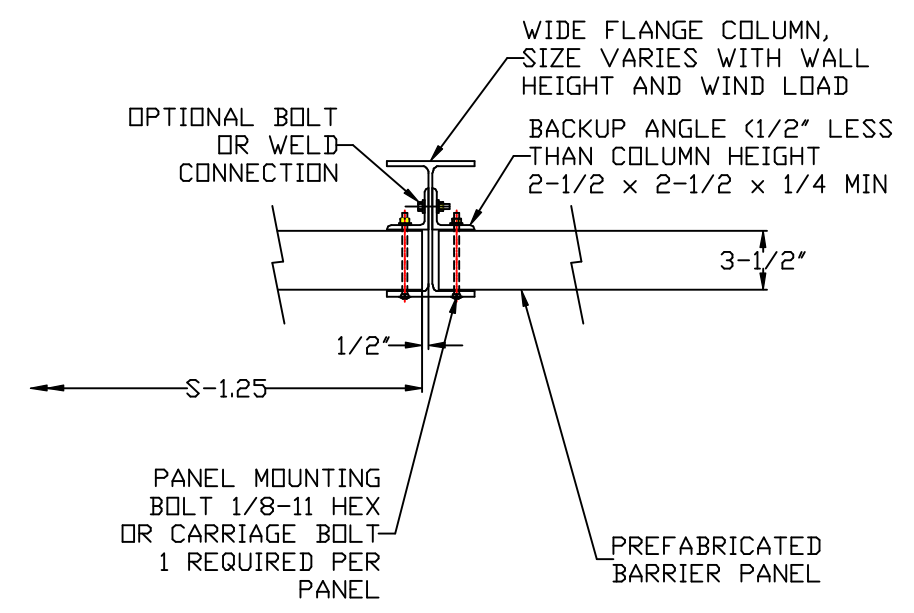


FIBERCORE PANELS AND CAPS ARE PROVIDED ONLY. BEAMS, FOUNDATION AND ATTACHMENT HARDWARE BY OTHERS.

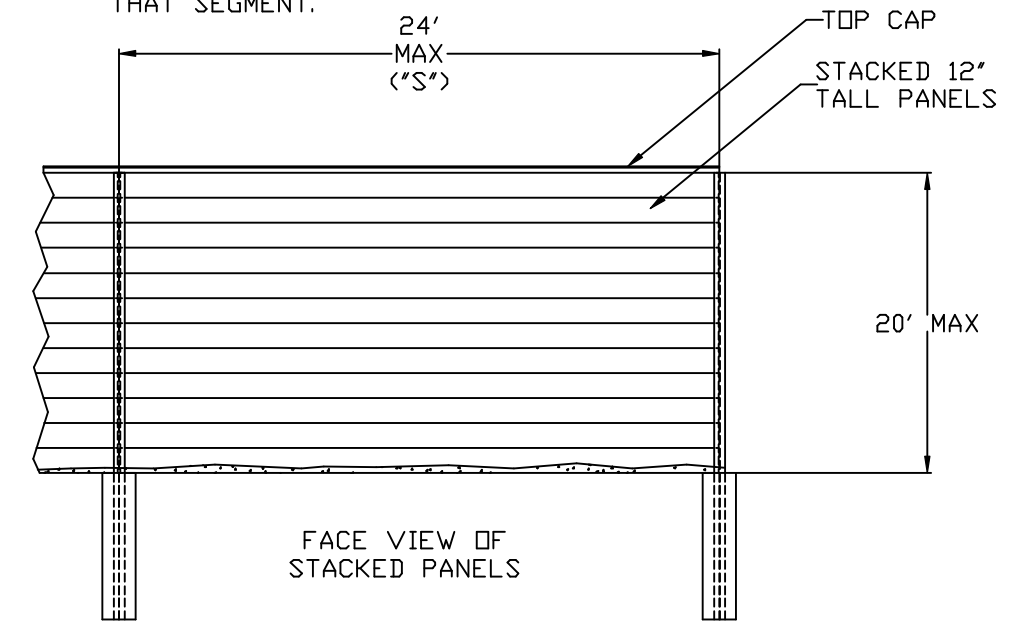


ALL MOUNTING HARDWARE AND COLUMN SIZES TO BE DESIGNED ON A PROJECT BY PROJECT BASIS

NOTE: IF BOLTED, WEB IS PREDRILLED TO ACCEPT BRACKET MOUNTING HARDWARE



WALLS UP TO 20' ARE MADE BY STACKING SEPARATE PREFABRICATED 12" TALL PANELS. THE TOP OF EACH PANEL HAS A TONGUE THAT PROTRUDES INTO THE GROOVE ON THE BOTTOM OF THE PANEL LOCATED IMMEDIATELY ABOVE IT. THE TOP OF EACH WALL SEGMENT HAS A TOP CAP WHICH ADDS APPROX 1-3/4" OF HEIGHT TO THAT SEGMENT.



NO.	BY	DATE	REVISION	PROJECT	SCALE	UNLESS OTHERWISE NOTED, DIMENSION TOLERANCE TO BE PLUS OR MINUS TOL.	KNC ORDER ID	DRAWN BY	TITLE
				-	NTS		-	PWM	SOLID FIBERCORE BARRIER WALL
				CUSTOMER	REPRESENTATIVE		DATE	CHECKED BY	DRAWING NO.
				-	-		3/08/04	PWM	-
									PAGE

