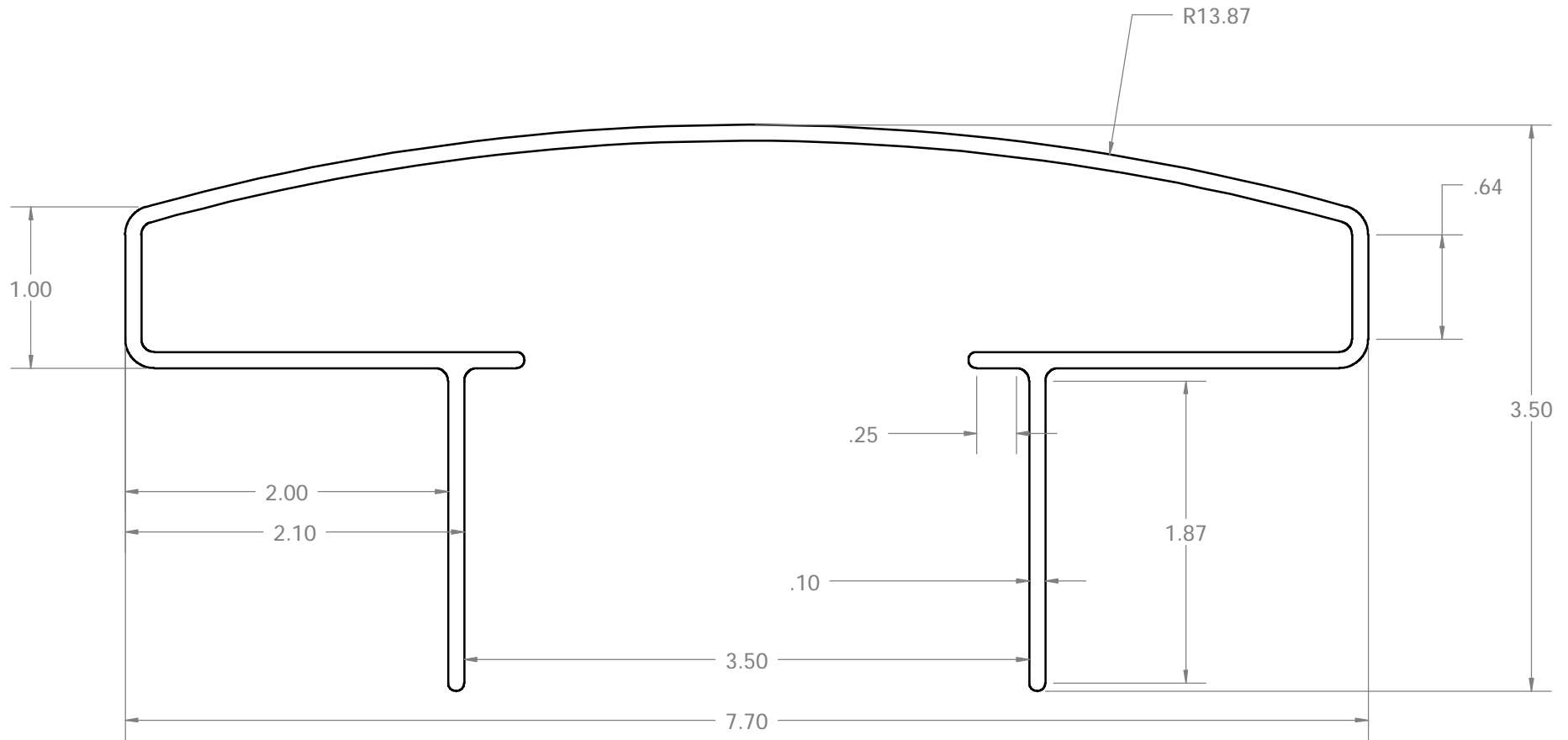


		REVISIONS			
ZONE	REV.	DESCRIPTION	DATE	APPROVED	



UNLESS OTHERWISE SPECIFIED:		NAME	DATE	<u>FiberCor</u> <u>Composites</u>		
DIMENSIONS ARE IN INCHES		DRAWN	SR			06/08/04
TOLERANCES:		CHECKED				
FRACTIONAL ±		ENG APPR.				
ANGULAR: MACH ± BEND ±		MFG APPR.			CorMax Top Cap	
TWO PLACE DECIMAL ±		Q.A.				
THREE PLACE DECIMAL ±		COMMENTS:				
INTERPRET GEOMETRIC TOLERANCING PER:				SIZE	DWG. NO.	REV
MATERIAL				A		2
FINISH				SCALE: 1:96	WEIGHT:	SHEET 1 OF 1
DO NOT SCALE DRAWING						

PROPRIETARY AND CONFIDENTIAL
THE INFORMATION CONTAINED IN THIS
DRAWING IS THE SOLE PROPERTY OF
FIBERCOR COMPOSITES INC. ANY
REPRODUCTION IN PART OR AS A WHOLE
WITHOUT THE WRITTEN PERMISSION OF
FIBERCOR COMPOSITES INC. IS
PROHIBITED.